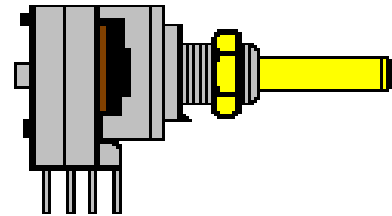




Entsprechend RoHS  
(EG2002/95/EC)



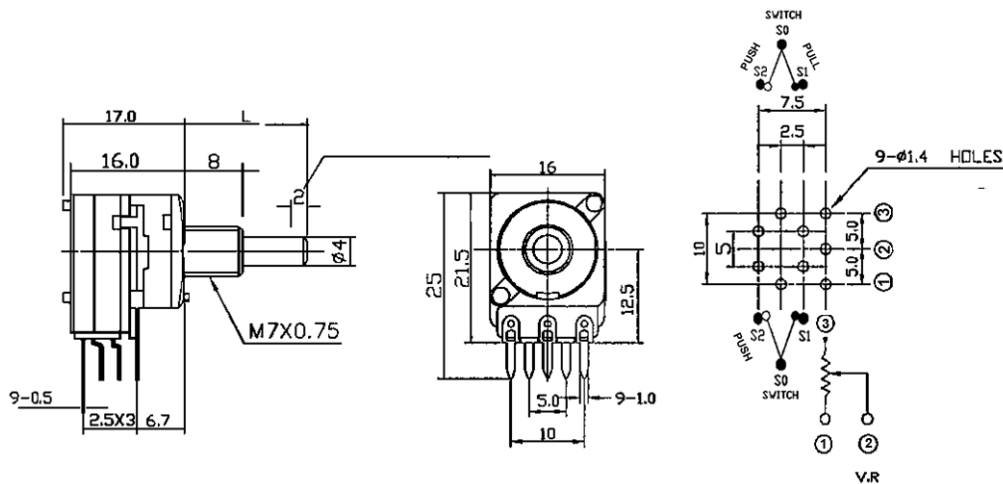
Ausführung / construction: Mono KHUS / single turn with switch

Welle / shaft:  $\varnothing$  4 mm, L = 30 mm  
 Buchse / bushing: M7 x 0,75  
 Drehbereich / rotation angle:  $270^\circ \pm 5\%$   
 Belastbarkeit / rated wattage: lin. 0,2 W / log 0,05 W

## ALPHASTAT 16 63250-014X2

Printausführung / for printed circuits (PC)

Kontakte: SPCC, kalt gewalzter Stahl, vernickelt / Cold rolled steel sheets, nickel plated



|              | Standard<br>63250-01402/— |        |        | Mittenrast / center click<br>63250-01412/— |        |        | Rast 11 / 11 clicks<br>63250-01422/— |        |        | Rast 41 / 41 clicks<br>63250-01442/— |        |        |
|--------------|---------------------------|--------|--------|--------------------------------------------|--------|--------|--------------------------------------|--------|--------|--------------------------------------|--------|--------|
|              | lin.                      | poslog | neglog | lin.                                       | poslog | neglog | lin.                                 | poslog | neglog | lin.                                 | poslog | neglog |
| <b>1 k</b>   | 5832*                     | 5845   |        | 5872                                       | 5885   |        | 5912                                 | 5925   |        | 5952                                 | 5965   |        |
| <b>2 k</b>   |                           |        | 5860   |                                            |        |        |                                      |        | 5940   |                                      |        | 5980   |
| <b>2,5 k</b> | 5833                      | 5846   |        | 5873                                       | 5886   |        | 5913                                 | 5926   |        | 5953                                 | 5966   |        |
| <b>5 k</b>   | 5834*                     | 5847   | 5862   | 5874*                                      | 5887   |        | 5914                                 | 5927   | 5942   | 5954                                 | 5967   | 5982   |
| <b>10 k</b>  | 5835*                     | 5848   | 5863   | 5875                                       | 5888   |        | 5915                                 | 5928   | 5943   | 5955                                 | 5968   | 5983   |
| <b>25 k</b>  | 5836*                     | 5849   |        | 5876*                                      | 5889   |        | 5916                                 | 5929   |        | 5956                                 | 5969   |        |
| <b>50 k</b>  | 5837*                     | 5850   | 5865   | 5877                                       | 5890   |        | 5917                                 | 5930   | 5945   | 5957                                 | 5970   | 5985   |
| <b>100 k</b> | 5838*                     | 5851   | 5866   | 5878                                       | 5891   |        | 5918                                 | 5931   | 5946   | 5958                                 | 5971   | 5986   |
| <b>250 k</b> | 5839                      | 5852   |        | 5879                                       | 5892   |        | 5919                                 | 5932   |        | 5959                                 | 5972   |        |
| <b>500 k</b> | 5840                      | 5853   |        | 5880                                       | 5893   |        | 5920                                 | 5933   |        | 5960                                 | 5973   |        |
| <b>1 M</b>   | 5841                      | 5854   |        | 5881                                       | 5894   |        | 5921                                 | 5934   |        | 5961                                 | 5974   |        |

\* lagermäßige Ausführungen \\ \* in stock